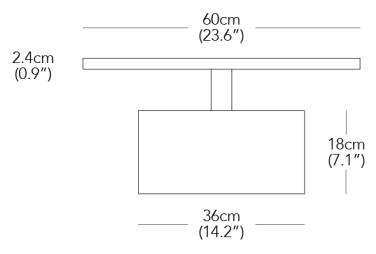
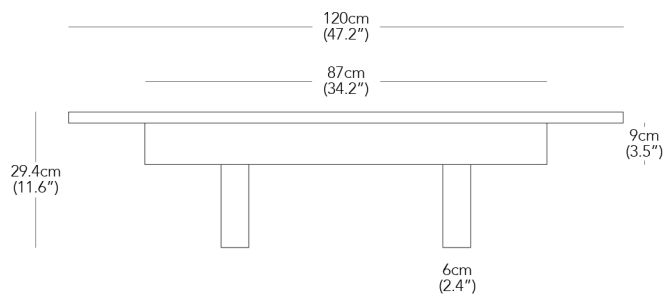


Resident

Plane Coffee Table



* Components drawn in relative scale. Refer to CAD files for accurate drawings.

DESIGNER
Jamie McLellan / 2022

PRODUCT DESCRIPTION
Coffee Table

PRODUCT CODE
PLA005N - Plane Coffee Table, Natural
PLA005U - Plane Coffee Table, Umber

MATERIALS
Solid Oak

COLOUR OPTIONS
Natural Oak
Umber Stained Oak

PRODUCT ENVIRONMENT
Indoor Use Only

APPROPRIATE FOR HARD CONTRACT USE
Yes

WARRANTY
3 Years

PACKAGED DIMENSIONS

W	D	H	
135	x	70	x 20cm
53.1	x	27.6	x 7.9"
			0.19 m ³
			6.7 ft ³

PACKAGED WEIGHT
Box 1 (Top)
36 kg
79 lbs

PRODUCT WEIGHT
30 kg
66 lbs

COUNTRY OF ORIGIN
Lithuania